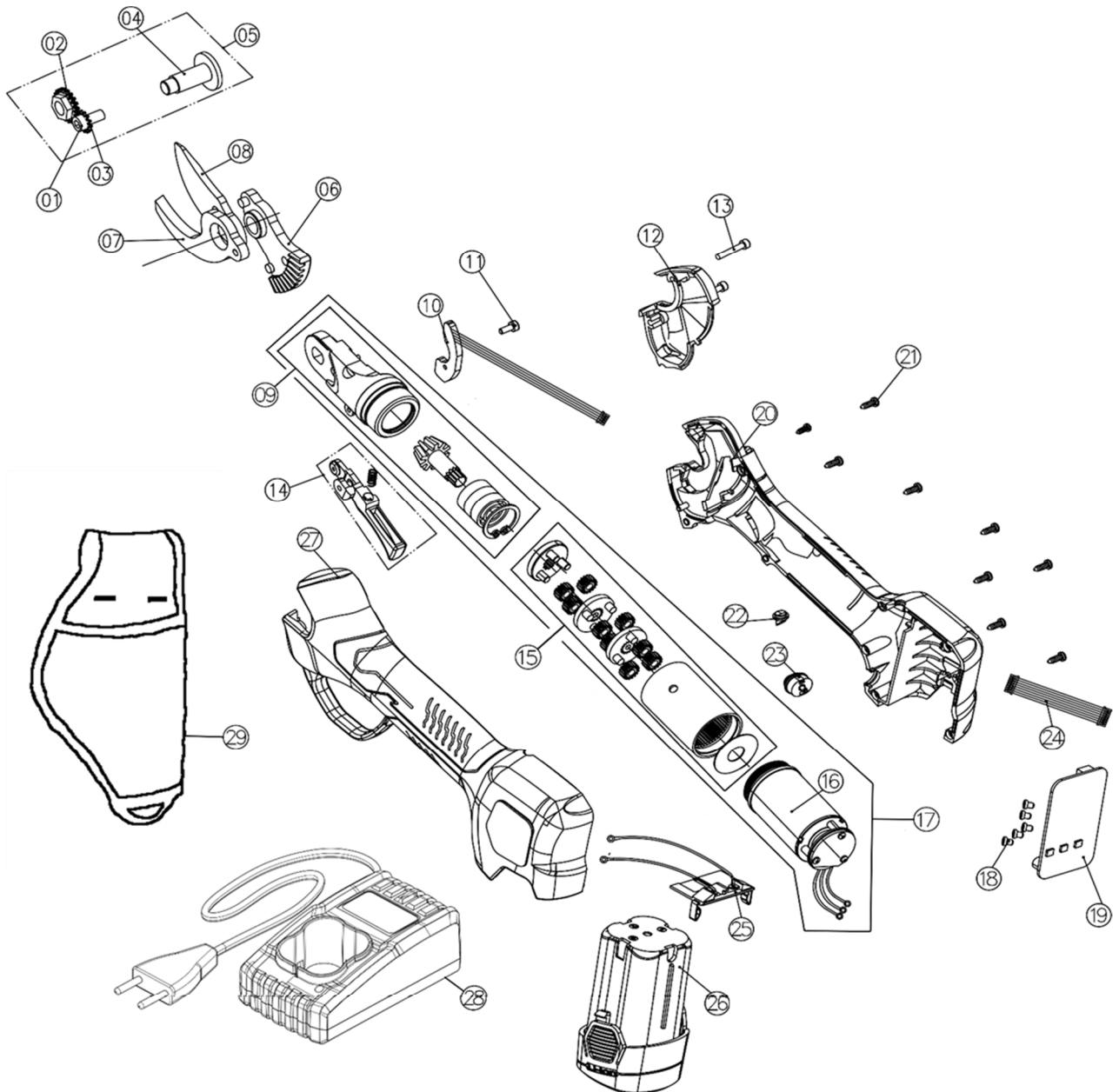


E-PRUNER KV290 - CORDLESS PRUNER



E-PRUNER **KV290** - LARGE PRUNER

Pos.	Code	Part Description	Part per Machine	Pcs per Package
1	KV290R01	Anti-rotation screw	1	1
2	KV290R02	Blade nut	1	1
3	KV290R03	Anti-rotation plate	1	1
4	KV290R04	Blade screw	1	1
5	KV290R05	Blade fixing system	1	1
6	KV290R06	Control lever	1	1
7	KV290R07	Fix blade	1	1
8	KV290R08	Moving blade	1	1
9	KV290R30K	Pinion and blade support assembly	1	1
10	KV290R10	Blade position circuit	1	1
11	KV290R11	Circuit fixing screw	1	1
12	KV290R12	Blade cover	1	1
13	KV290R13	Blade cover screw	2	1
14	KV290R14	Trigger with spring	1	1
15	KV290R31K	Gear reduction	1	1
16	KV290R17	Motor	1	1
17	KV290R18	Motor gearbox	1	1
18	KV290R19K	Control circuit screws	5	5
19	KV290R20	Control circuit	1	1
20	KV290R21	Cover B	1	1
21	KV290R32K	Cover screws	8	8
22	KV290R23	LED cover	1	1
23	KV300R12	Switch	1	1
24	KV290R25	7 poles wire	1	1
25	KV290R26	Battery plug base	1	1
26	KV300R70	Battery 14.4V 2.5Ah	1	1
27	KV290R28	Cover A	1	1
28	KV300R71	Battery charger 14.4V	1	1
29	KV500R32	Holster	1	1