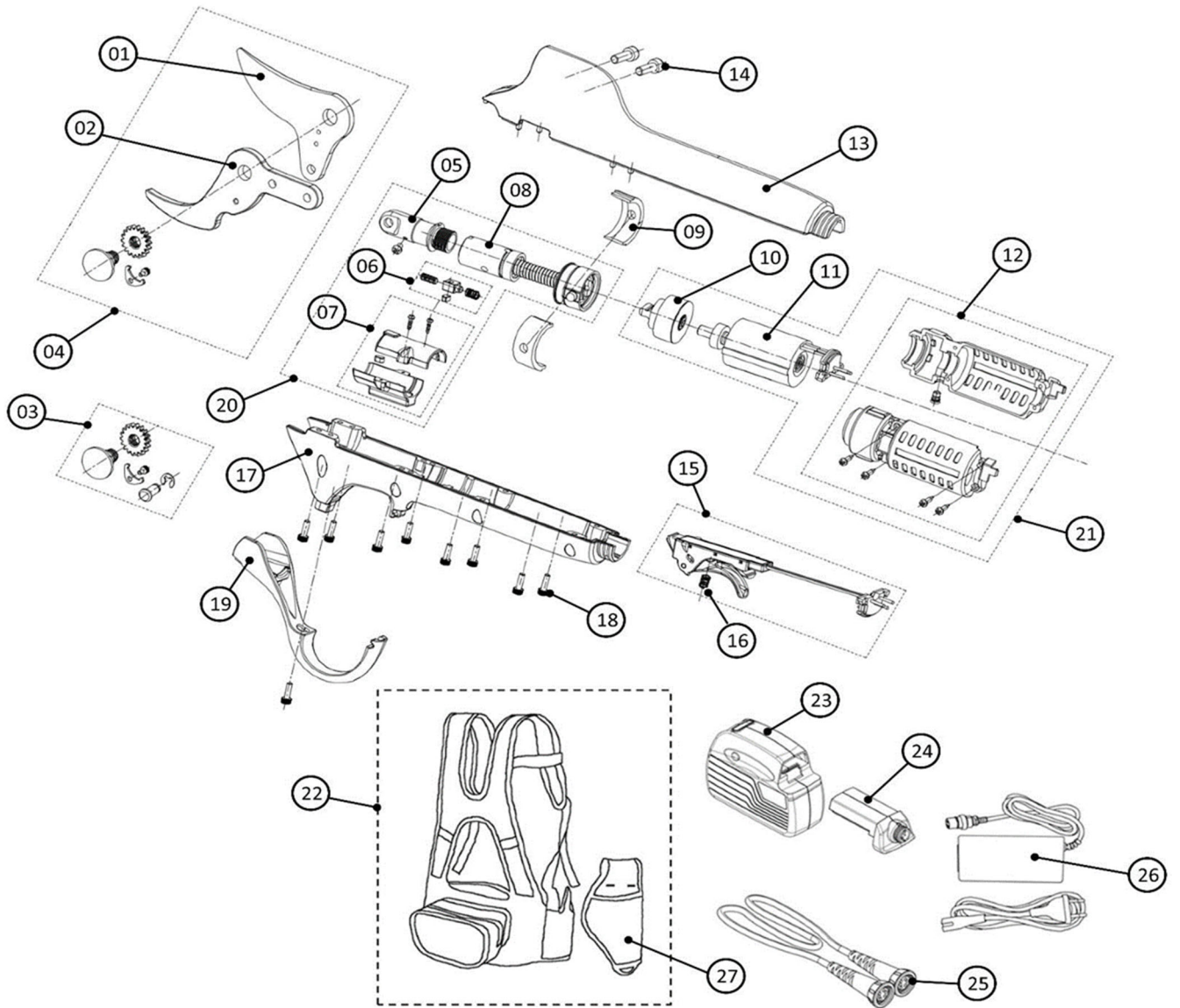


E-PRUNER KV600 - MEDIUM PRUNER



E-PRUNER **KV600** - MEDIUM PRUNER

Pos.	Code	Part Description	Part per Machine	Pcs per Package
1	KV600R15	Moving Blade Ø35 up to serial number PM.0419.500.SY	1	1
1	KV600R44	Moving Blade Ø35 from seial number PM.2419.001.SY	1	1
2	KV600R16	Fixed Blade Ø35 up to serial number PM.0419.500.SY	1	1
2	KV600R45	Fixed Blade Ø35 from serial number PM.2419.001.SY	1	1
3	KV600R35	Blade installing screw up to serial number PM.0419.500.SY	1	1
3	KV600R50	Blade installing screw from serial number PM.2419.001.SY	1	1
4	KV600R14	Blade assembly Ø35 up to serial number PM.0419.500.SY	1	1
4	KV600R43	Blade assembly Ø35 from serial number PM.2419.001.SY	1	1
5	KV600R36	Push rod	1	1
6	KV600R37	Travel magnet assembly	1	1
7	KV600R38	Nut dustproof assembly	1	1
8	KV600R39	Nut assembly	1	1
9	KV600R03K	Bear support	2	2
10	KV600R40	Gear assembly	1	1
11	KV600R41	Electric motor	1	1
12	KV600R42	Motor cover assembly	1	1
13	KV600R28	Top Cover	1	1
14	KV600R24K	Screw M5x13.5	2	10
15	KV600R01	Trigger assembly	1	1
16	KV600R12K	Trigger spring	1	10
17	KV600R29	Lower cover	1	1
18	KV600R08K	Screw M3x10	9	20
19	KV600R27	Trigger cover	1	1
20	KV600R02	Lead screw assembly	1	1
21	KV600R25	Motor and gear assembly	1	1
22	KV600R31	Back pack for battery KV600R70	1	1
23	KV600R70	Battery 44V 4,4 Ah	1	1
24	KV600R71	Controller for battery 44V 4,4 Ah	1	1
25	KV600R30	Cable	1	1
26	KV600R32	Charger	1	1
27	KV500R32	Holster	1	1